

## Eco Preparation 1800 mm Work Table with Upstand - Right Bowl

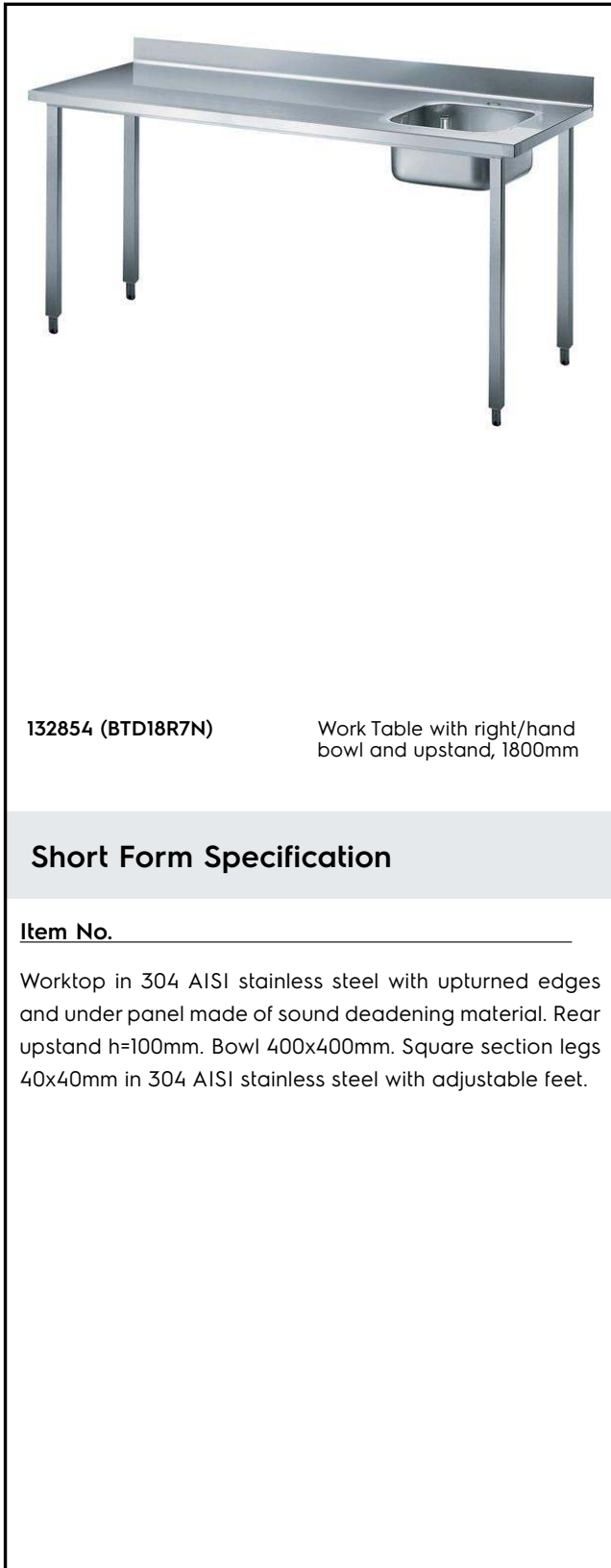
ITEM # \_\_\_\_\_

MODEL # \_\_\_\_\_

NAME # \_\_\_\_\_

SIS # \_\_\_\_\_

AIA # \_\_\_\_\_


**132854 (BTD18R7N)**

Work Table with right/hand bowl and upstand, 1800mm

### Short Form Specification

**Item No.** \_\_\_\_\_

Worktop in 304 AISI stainless steel with upturned edges and under panel made of sound deadening material. Rear upstand h=100mm. Bowl 400x400mm. Square section legs 40x40mm in 304 AISI stainless steel with adjustable feet.

### Main Features

- The table can be ordered with the drawer of 400 mm or 600 mm (optional accessory): thanks to the design of the drawer, additional drawers can be added to the first single drawer to create chest of 2, 3 or 4 drawers based on customer's needs.
- Sturdiness, stability and reliability of table accurately tested.
- 100 mm upstand with 13mm depth and 10 mm radiused corner, designed to be used against a wall.

### Construction

- Single-pressed bowl AISI 304 stainless steel bowl with overflow pipe and drain hole.
- 40 mm worktop in 304 AISI stainless steel.
- Wide range of taps are available to suit every need.
- Constructed entirely in stainless steel to offer maximum durability.
- Delivered in knock-down package.

### Optional Accessories

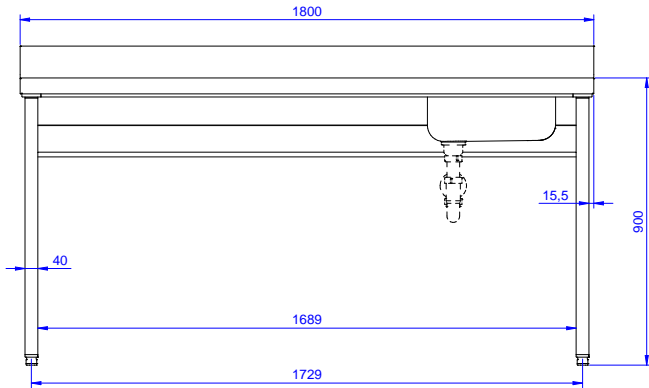
- Lower shelf for 1800mm tables and sinks PNC 855148
- Set of 4 wheels (2 with brake) d. 100mm for tables and sinks (total height on wheels= 993 mm) PNC 855150
- 3-sided underframe for 1800mm tables PNC 855155
- Single plastic drain syphon 1,5 " for work tables with bowl PNC 855306
- Elbow operated mixer tap with spout 3/4", single hole PNC 855322
- Elbow operated mixer tap with short spout 3/4", single hole PNC 855323
- Foot operated mixer tap (hot and cold) with spout 3/4" PNC 855328

**APPROVAL:** \_\_\_\_\_

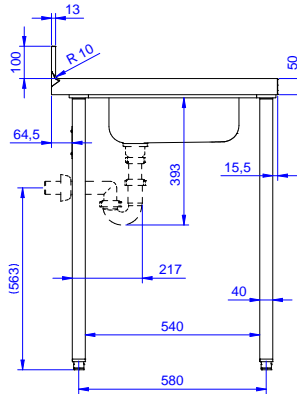
## Key Information:

<b>External dimensions, Width:</b>	<b>132854 (BTD18R7N)</b>	1800 mm
<b>External dimensions, Depth:</b>		700 mm
<b>External dimensions, Height:</b>		900 mm
<b>Upstand Dimensions, Height:</b>		100 mm
<b>Upstand Dimensions, Depth:</b>		13 mm
<b>Upstand Dimensions, Radius:</b>		R=10
<b>Bowls number</b>		1
<b>Bowl dimensions</b>		500x400xH200
<b>Worktop thickness:</b>		50 mm
<b>Net weight:</b>		40 kg

Front



Side



D = Drain

Top

